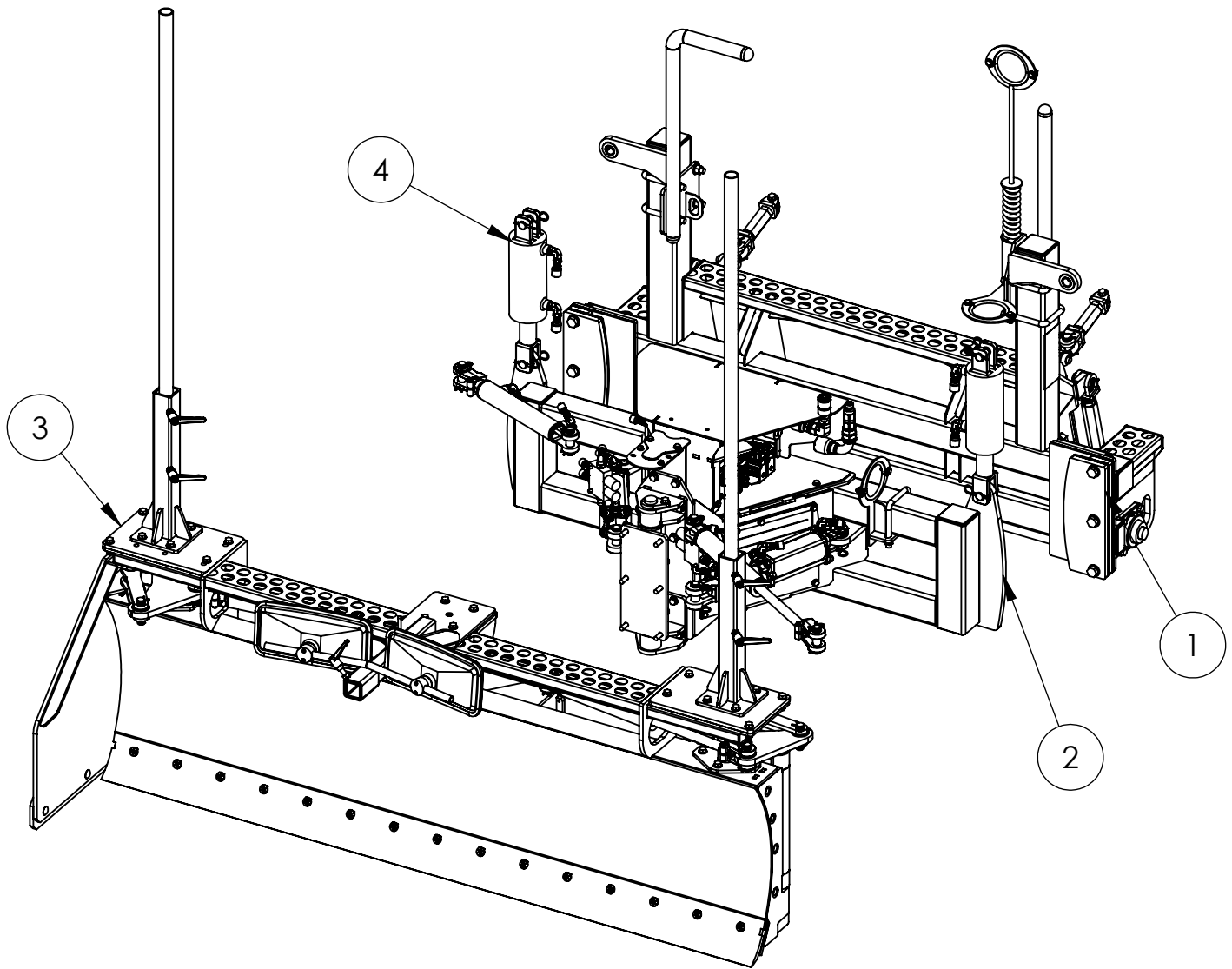


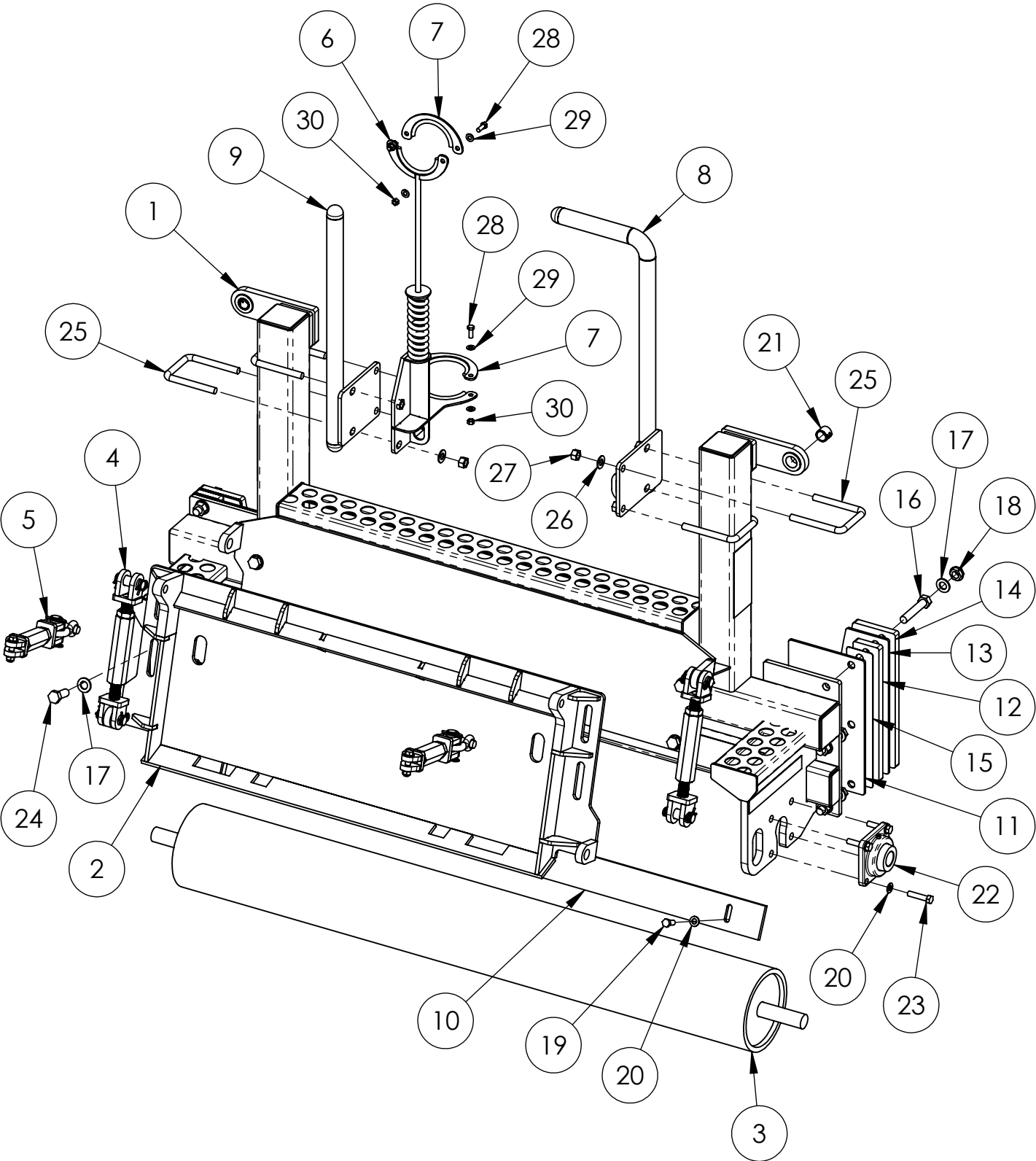
**LASER GRADER, 7-1/2 FOOT
15402**



ITEM NO.	PART NUMBER	DESCRIPTION	QTY.
1	15335	FRAME, DRUM, STEP ASSY	1
2	15626	GRADER TILT ASSY	1
3	16575	MOLDBOARD ASSEMBLY, 7-1/2 FT	1
4	16607	HYDRAULIC ASSEMBLY	1

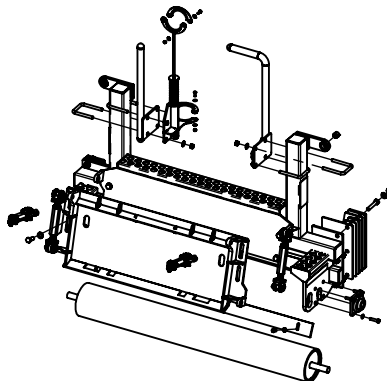
FRAME, DRUM, STEP ASSEMBLY

15335

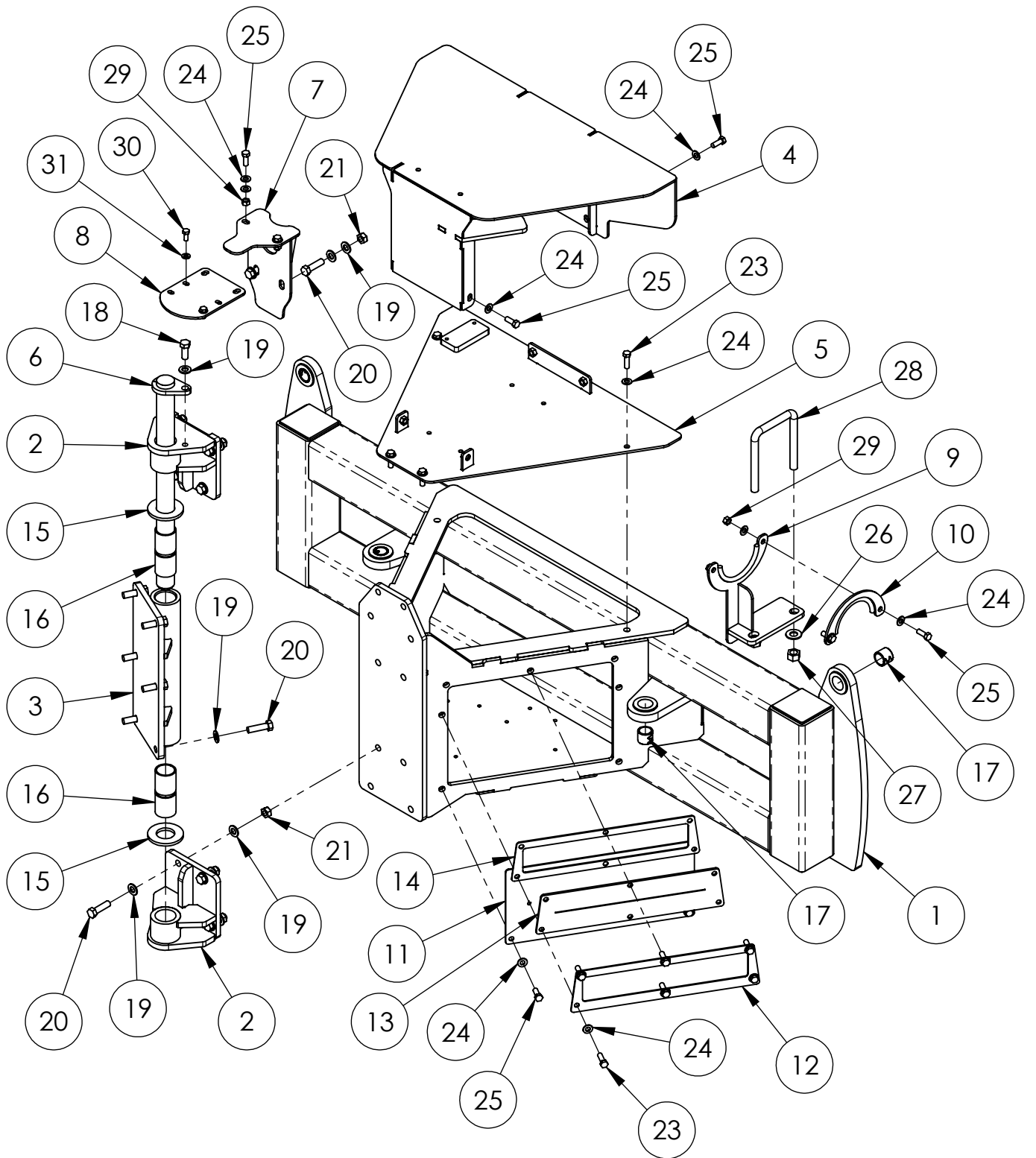


**FRAME, DRUM, STEP ASSEMBLY
15335**

ITEM NO.	PART NUMBER	DESCRIPTION	QTY.
1	15336	FRAME, GRADER DRUM	1
2	15337	GRADER SS PLATE PIVOT	1
3	15655	GRADER DRUM WELD	1
4	15662	TURNBUCKLE, SS ATTACH	2
5	16297	TURNBUCKLE, TILT LOCK	2
6	16120	HOSE ROUTING WMENT	1
7	16344	HOSE ROUTE CLOSE	2
8	16195	GRADER HAND RAILING RIGHT	1
9	16201	GRADER HAND RAILING LEFT	1
10	15659	PLATE, SCRAPER	1
11	14593	WEAR BAR STRIP	2
12	14594	PLATE, ROTOR MOUNT PIVOT	2
13	14598	PLATE, WEAR STRIP	2
14	15398	PLATE, TRIMMER HEAD CATCH	2
15	14824	PLATE, ROTOR MOUNT PIVOT	2
16	14632	BOLT, 3/4-10 X 4.0 GR8 ZY	6
17	10107	WASHER, 3/4 GR8 ZY	16
18	12260	NUT - 3/4-16 HEX LOCK GR8 ZY	6
19	10433	BOLT, 1/2-13 X 1.25 GR8 ZY	2
20	10062	WASHER, 1/2 SAE GR8 ZY	10
21	14652	BUSHING, SPRING 1" ID	2
22	15391	BEARING, 1-1/2", 4 BOLT	2
23	15660	BOLT, 1/2-13 X 2.25 GR8 ZY	8
24	15661	BOLT, 3/4-10 X 2" GR8 ZY	4
25	11370	U-BOLT, 5/8 X 4 X 5.5	4
26	10104	WASHER, 5/8 GR8 ZY	8
27	11122	NUT, 5/8-11 SLTL GR8 ZY	8
28	10112	BOLT, 3/8-16 X 1 GR8 ZY	4
29	10110	WASHER, 3/8 SAE GR8 ZY	8
30	10947	NUT, 3/8-16 SLTL GR8 ZY	4
31	16636	DECAL, LGX VERTICAL 3.3X6.6	2
32	16633	DECAL, BURCHLAND 1.2X10.3	2

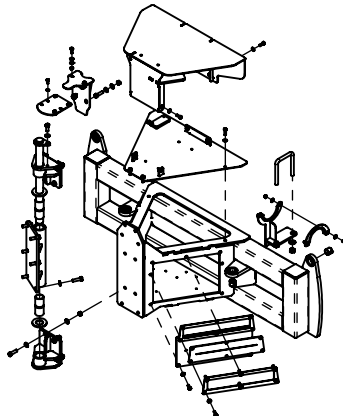


GRADER TILT ASSEMBLY 15626

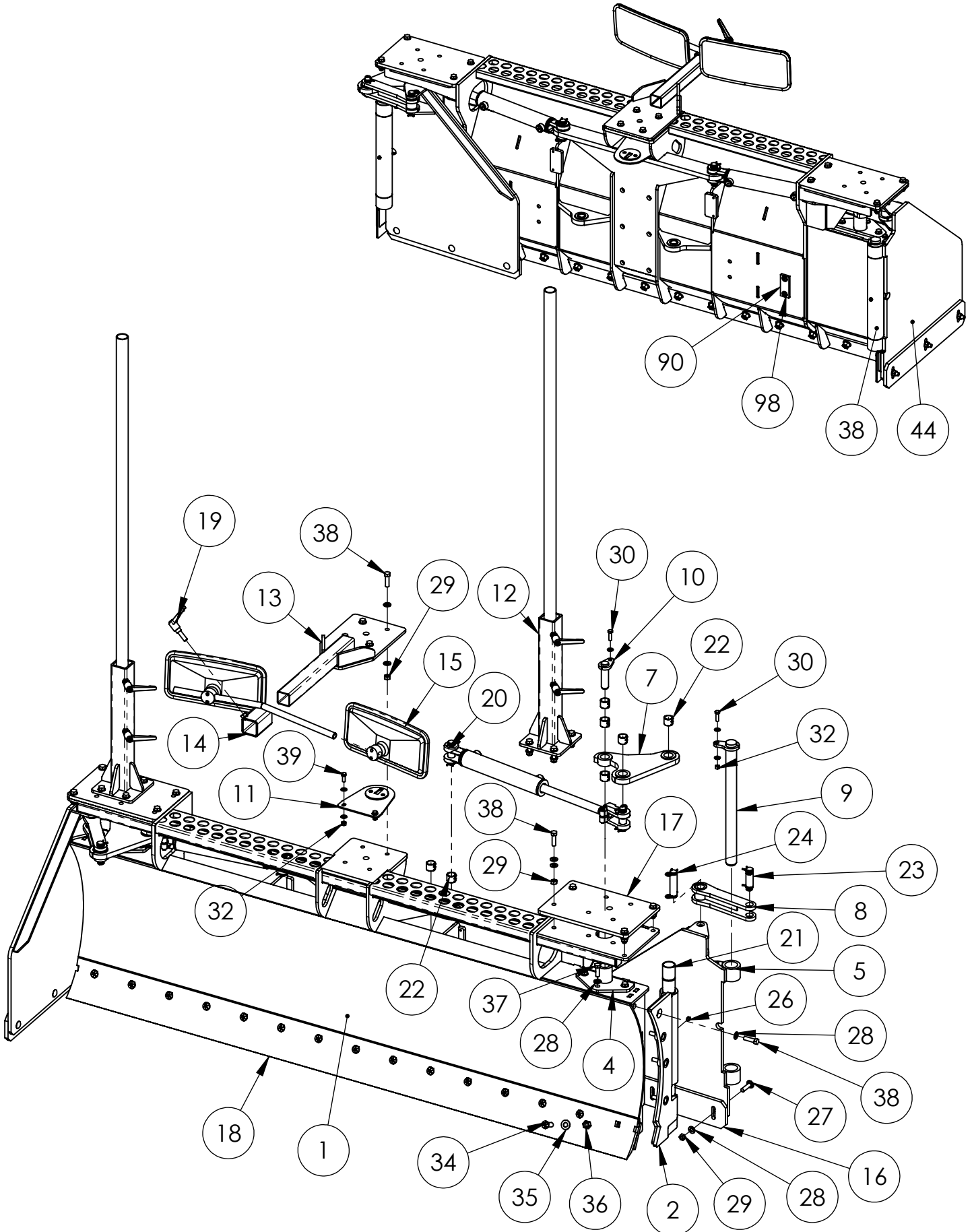


GRADER TILT ASSEMBLY 15626

ITEM NO.	PART NUMBER	DESCRIPTION	QTY.
1	15333	GRADER TILT WELDMENT	1
2	15745	TILT PIVOT WELD	2
3	15746	BLADE PIVOT WELD	1
4	16174	VALVE COVER, GRADER	1
5	16038	VALVE BOX LID WELD	1
6	15816	PIVOT PIN, GRADER	1
7	15808	ROTATION SENSOR MOUNT	1
8	16714	PLATE, ROTATE SENSOR MNT	1
9	16205	HOSE ROUTING WMENT	1
10	16344	HOSE ROUTE CLOSE	1
11	15834	PLATE, BOX SIDE	1
12	15835	PLATE, RUBBER SEAL MNT	1
13	15836	RUBBER SEAL GROMMET	1
14	15838	PLATE, RUBBER SEAL BIND	1
15	15750	PLATE, WEAR PIVOT WASHER	2
16	11086	BUSHING, 1.5ID X 1.75OD X 2.0	4
17	14652	BUSHING, SPRING 1" ID	4
18	10433	BOLT, 1/2-13 X 1.25 GR8 ZY	1
19	10062	WASHER, 1/2 SAE GR8 ZY	27
20	10435	BOLT - 1/2-13 X 1.75 GR8 ZY	16
21	10396	NUT, 1/2-13, SLTL GR8 ZY	10
22	10434	GREASE ZERK, 1/8 NPT ST.	1
23	10113	BOLT, 3/8-16 X 1.25 GR8 ZY	10
24	10110	WASHER, 3/8 SAE GR8 ZY	24
25	10112	BOLT, 3/8-16 X 1 GR8 ZY	10
26	10104	WASHER, 5/8 GR8 ZY	2
27	11122	NUT, 5/8-11 SLTL GR8 ZY	2
28	11370	U-BOLT, 5/8 X 4 X 5.5	1
29	10947	NUT, 3/8-16 SLTL GR8 ZY	4
30	16118	BOLT, 5/16-18 X 3/4 GR8 ZY	2
31	14697	WASHER, 5/16 GR8 ZY	2



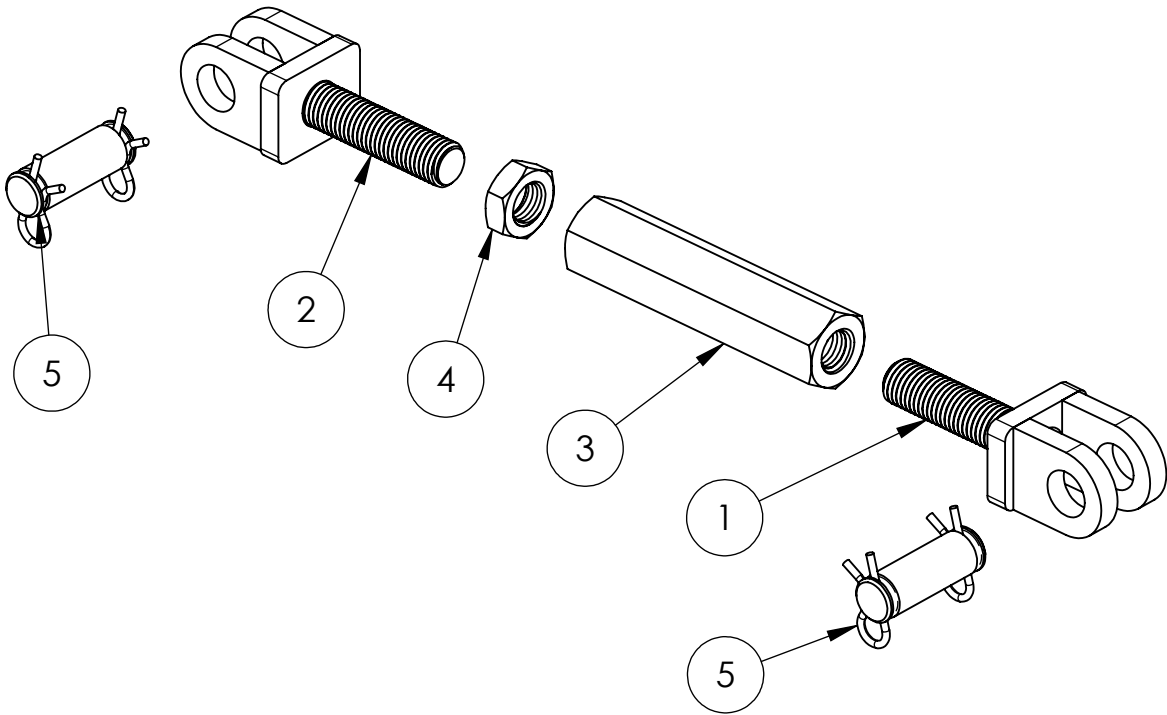
MOLDBOARD ASSY, 7-1/2 FT
16575



**MOLDBOARD ASSY, 7-1/2 FT
16575**

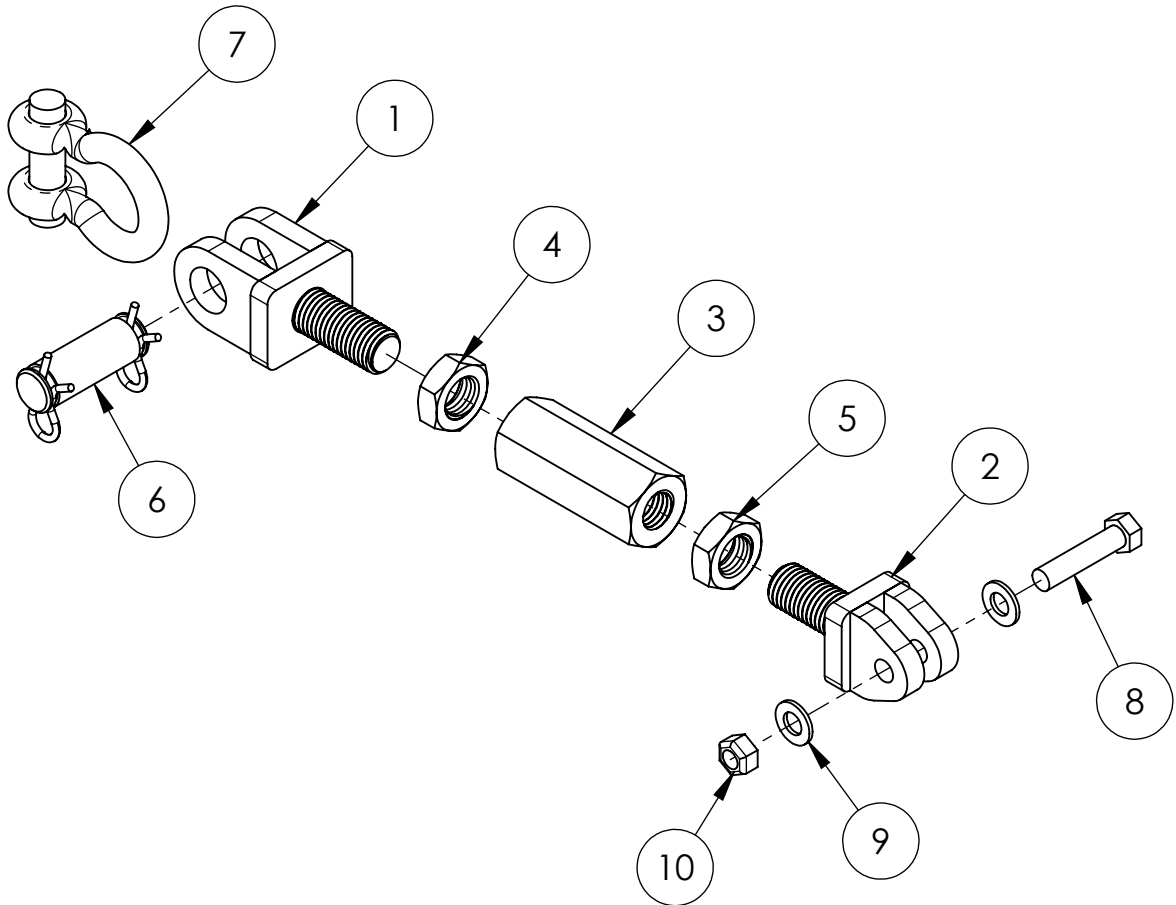
ITEM NO.	PART NUMBER	DESCRIPTION	QTY.
1	16576	MOLDBOARD WELD 7-1/2 FT	1
2	16577	WING HINGE, LEFT	1
3	16578	WING HINGE, RIGHT	1
4	16579	WING PIVOT BOTTOM	2
5	16580	GRADER WING, 24" LEFT	1
6	16581	GRADER WING, 24" RIGHT	1
7	16582	TRIANGLE LINK WELD	2
8	16583	STRAIGHT LINK WELD	2
9	15681	PIVOT PIN, WING 1-1/2"	2
10	15682	PIVOT PIN, WING 1" X 4"	2
11	15809	ROTATION SENSOR GUIDE	1
12	16261	LASER MAST ASSEMBLY	2
13	16308	MIRROR BRACKET WELD	1
14	16309	MIRROR MOUNT WELD	1
15	16436	MIRROR, BLADE FRONT	2
16	16584	PLATE, WING WEAR EDGE	2
17	16585	PLATE, MAST MOUNT	2
18	16586	GRADER BLADE, 7-1/2 FT	1
19	15794	SET SCREW, 1/2-13 RATCHET	1
20	15674	HYD CYL, 2" x 10" x 1-1/8"	2
21	11086	BUSHING, 1.5ID X 1.75OD X 2.0	8
22	14652	BUSHING, SPRING 1" ID	14
23	15671	PIN, 1" X 3" ZC	2
24	15672	PIN, 1" X 4" ZC	2
25	12975	BAR, WHEEL TUBE SHIM	2
26	10434	GREASE ZERK, 1/8 NPT ST.	2
27	12908	BOLT, 1/2-13 X 1.75 CARRIAGE	6
28	10062	WASHER, 1/2 SAE GR8 ZY	44
29	10396	NUT, 1/2-13, SLTL GR8 ZY	18
30	10113	BOLT, 3/8-16 X 1.25 GR8 ZY	4
31	10110	WASHER, 3/8 SAE GR8 ZY	10
32	10947	NUT, 3/8-16 SLTL GR8 ZY	4
33	13006	CAP SCREW, 3/8-16 X 1.25 CTRSK	4
34	14469	PLOW BOLT, 5/8-11 X 2.0 G8	15
35	10104	WASHER, 5/8 GR8 ZY	15
36	11122	NUT, 5/8-11 SLTL GR8 ZY	15
37	10394	BOLT, 1/2-13 X 1.50 GR8 ZY	6
38	10435	BOLT - 1/2-13 X 1.75 GR8 ZY	20
39	10112	BOLT, 3/8-16 X 1 GR8 ZY	2

TURNBUCKLE, ATTACH PLATE 15662



ITEM NO.	PART NUMBER	DESCRIPTION	QTY.
1	15663	TURNBUCKLE CLEVIS, LH	1
2	15664	TURNBUCKLE CLEVIS, RH	1
3	15665	STANDOFF, 1"-8, HEX L-R	1
4	15666	NUT, 1"-8, GR2 ZC JAM, RH	1
5	15671	PIN, 1" X 3" ZC	2

TURNBUCKLE, TILT LOCK 16297



ITEM NO.	PART NUMBER	DESCRIPTION	QTY
1	16298	TURNBUCKLE CLEVIS, RH	1
2	16299	TURNBUCKLE CLEVIS, LH	1
3	16305	STANDOFF, 1"-8, HEX L-R	1
4	15666	NUT, 1"-8, GR2 ZC JAM, RH	1
5	16369	NUT, 1"-8, GR2 ZC JAM, LH	1
6	15671	PIN, 1" X 3" ZC	1
7	16306	CLEVIS, 5/8" THICK, 3/4" PIN	1
8	10397	BOLT, 1/2-13 X 2.25 GR8 ZY	1
9	10062	WASHER, 1/2 SAE GR8 ZY	2
10	10396	NUT, 1/2-13, SLTL GR8 ZY	1