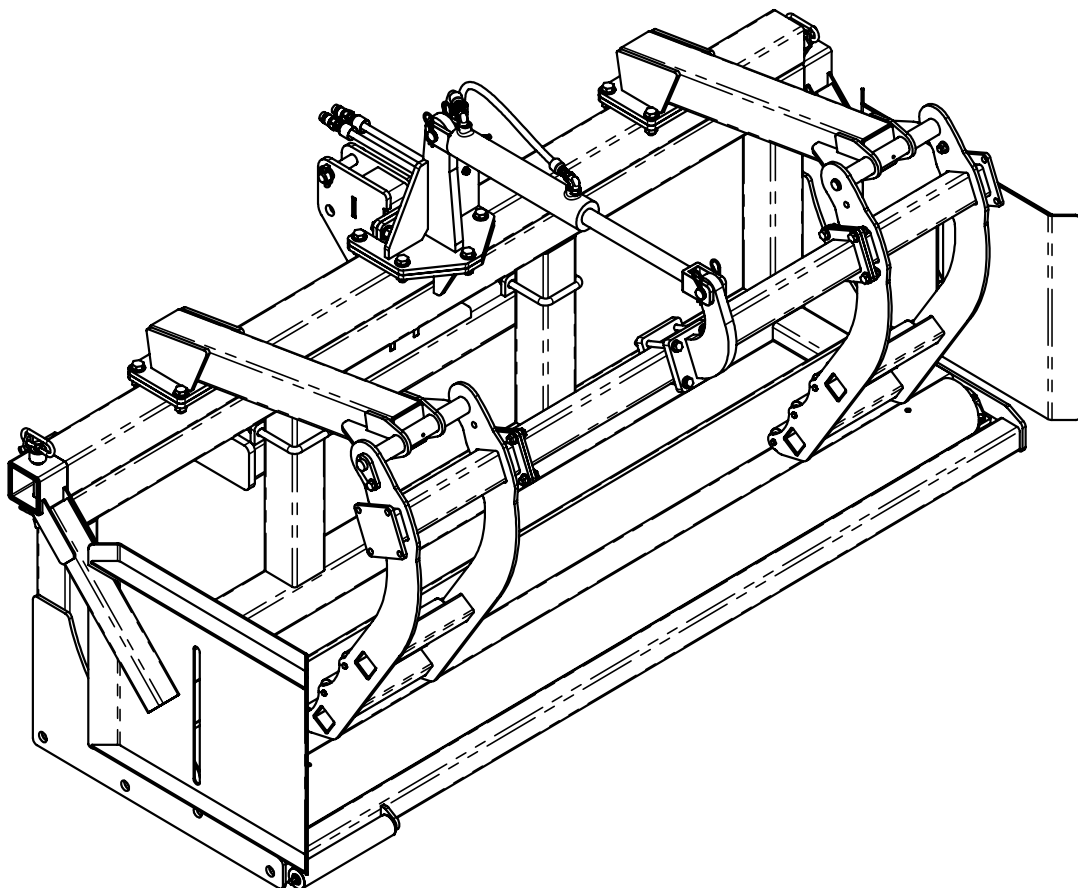


BURCHLAND

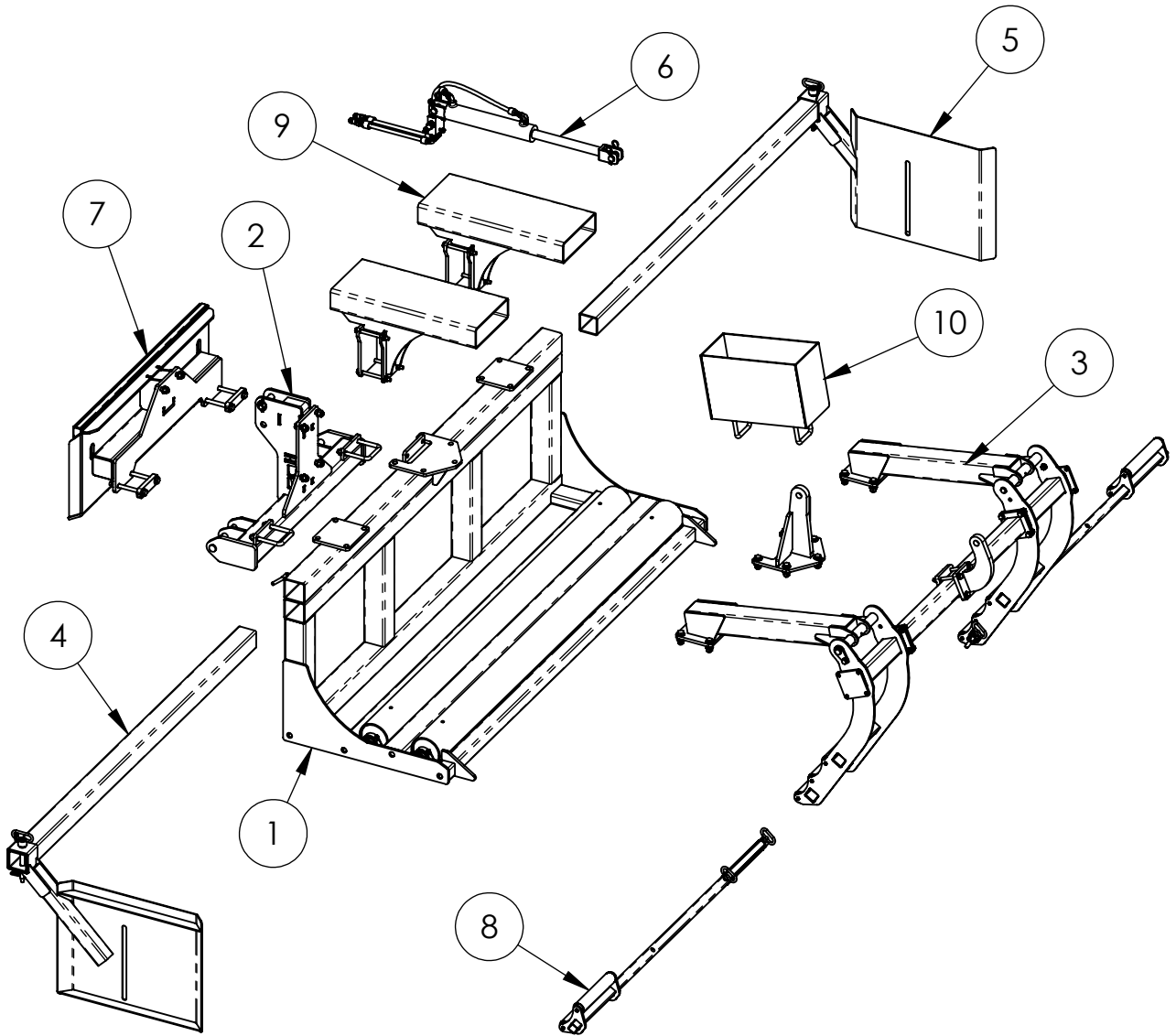
BR2

MATERIAL ROLLER



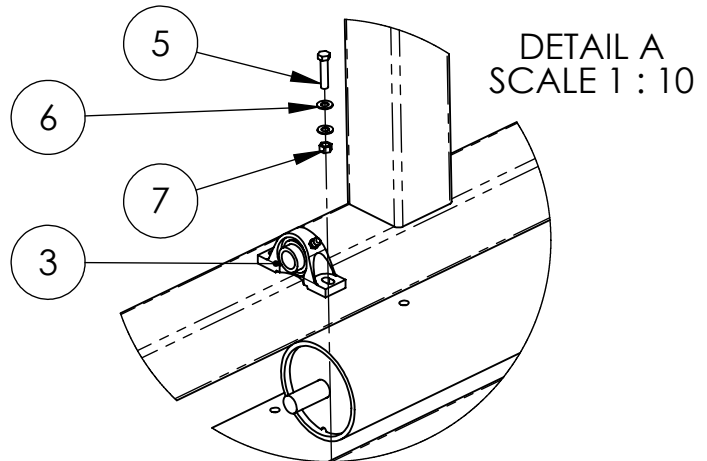
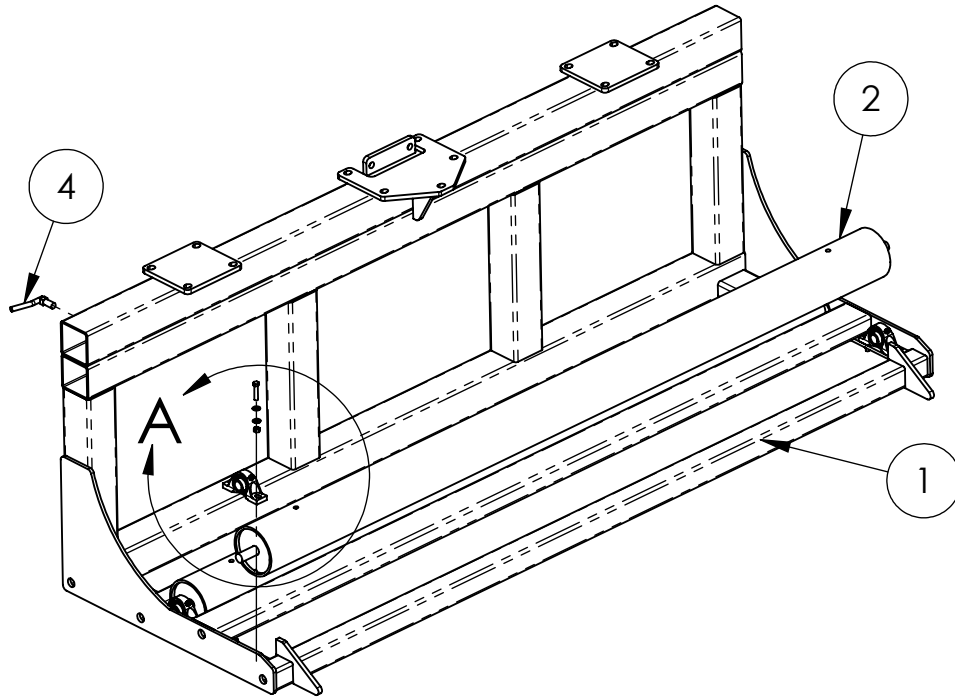
PARTS BOOK

BLANKET ROLLER 14700, 15100



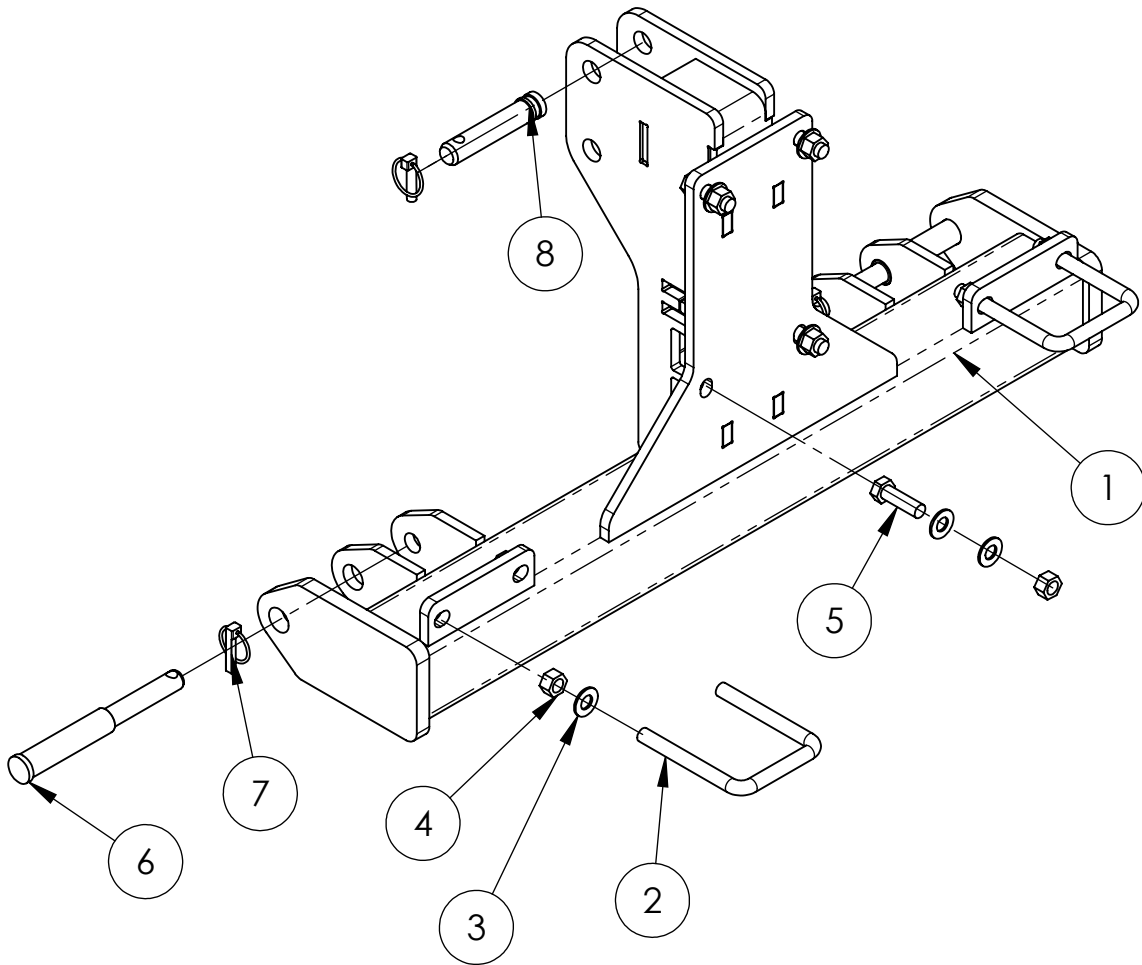
ITEM NO.	PART NUMBER	DESCRIPTION	QTY
1	14686	ROLLER FRAME, ROLLERS	1
2	14691	3 POINT HITCH ASSY	1
3	14692	ROLLER ARMS ASSY	1
4	14693	ROLL STOP ARM LEFT	1
5	14694	ROLL STOP ARM RIGHT	1
6	14695	HYD VALVE, HOSE ASSY	1
7	15052	SS ATTACH BR2 BOLT-ON ASSY	1
8	14453	ROLL EXTENSION ASSY	2
9	15265	BR2 FORK POCKET ASSY	1
10	15111	STAPLE BOX ASSEMBLY	1

ROLLERS FRAME ASSEMBLY 14686



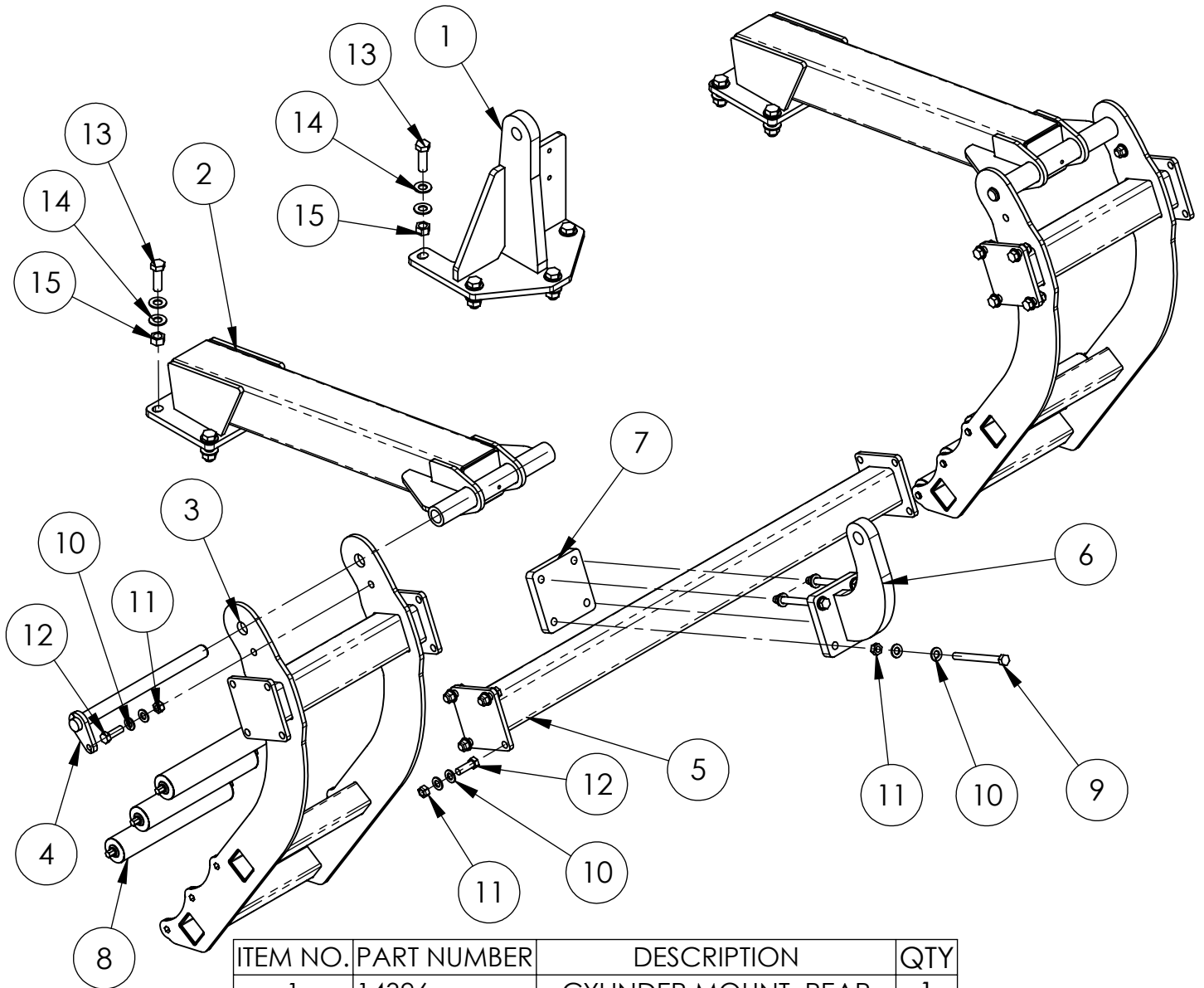
ITEM NO.	PART NUMBER	DESCRIPTION	QTY
1	14360	FRAME, BLANKET ROLLER	1
2	14372	ROLLER, BLANKET	2
3	14388	PILLOW BLOCK BEARING 1" ID	4
4	13898	LOCK HANDLE	2
5	10135	BOLT, 3/8-16 X 1.75 GR8 ZY	8
6	10110	WASHER, 3/8 SAE GR8 ZY	16
7	10109	NUT, 3/8-16 GR8 ZY	8

3-POINT HITCH ASSEMBLY 14691



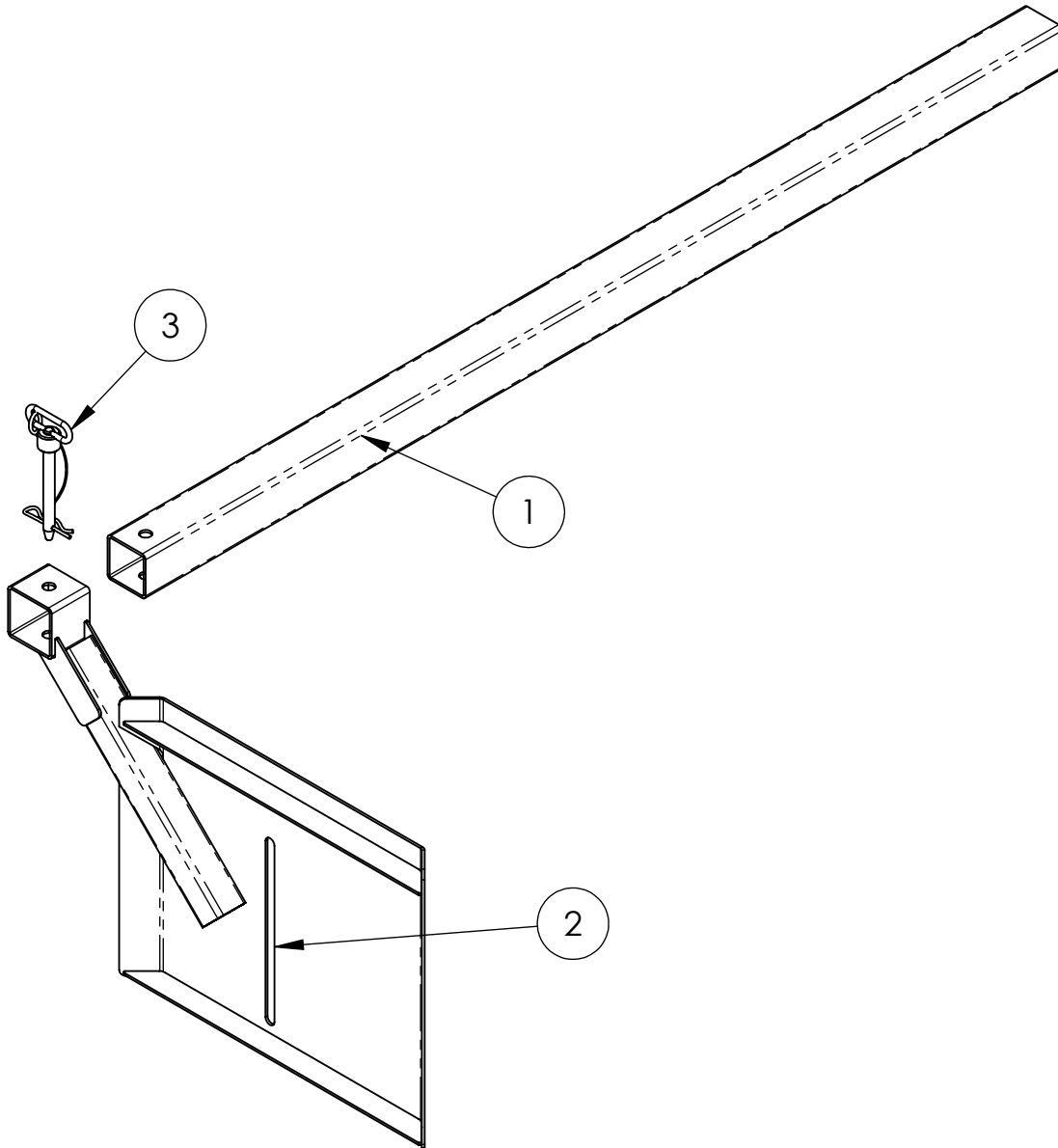
ITEM NO.	PART NUMBER	DESCRIPTION	QTY
1	14399	3-POINT HITCH, ROLLER	1
2	11370	U-BOLT, 5/8 X 4 X 5.5	2
3	10104	WASHER, 5/8 GR8 ZY	12
4	11122	NUT, 5/8-11 SLTL GR8 ZY	8
5	10886	BOLT, 5/8-11 X 2.5 GR8 ZY	4
6	10416	PIN, LOWER 3-POINT	2
7	10123	LINCH PIN, 7/16	3
8	10121	PIN - CAT II TOP, 3 POINT	1

ROLLER ARMS ASSEMBLY 14692



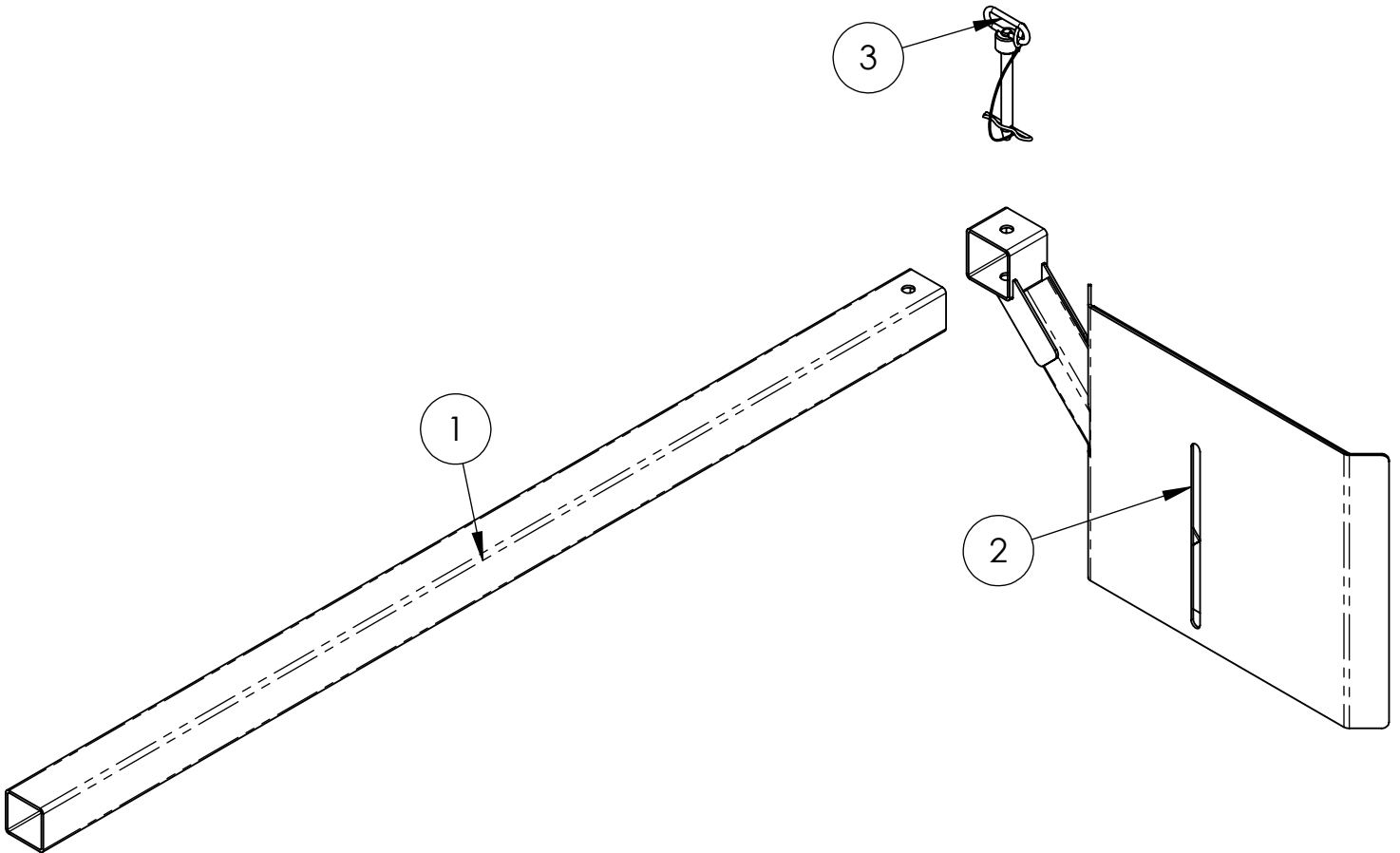
ITEM NO.	PART NUMBER	DESCRIPTION	QTY
1	14396	CYLINDER MOUNT, REAR	1
2	14382	GRAPPLE MOUNT ARM	2
3	14376	ROLLER GRAPPLE	2
4	14389	PIN, ROLLER GRAPPLE	2
5	14391	GRAPPLE JOINT TUBE	1
6	14393	GRAPPLE CYLINDER MOUNT	1
7	14394	PLATE, BOLT	1
8	14402	ROLLER, 2 X 12	6
9	12524	BOLT, 1/2-13 X 5.5 GR8 ZY	4
10	10062	WASHER, 1/2 SAE GR8 ZY	28
11	10396	NUT, 1/2-13, SLTL GR8 ZY	14
12	10394	BOLT, 1/2-13 X 1.50 GR8 ZY	10
13	10886	BOLT, 5/8-11 X 2.0 GR8 ZY	13
14	10104	WASHER, 5/8 GR8 ZY	26
15	11122	NUT, 5/8-11 SLTL GR8 ZY	13

**ROLL STOP ARM LEFT
14693**



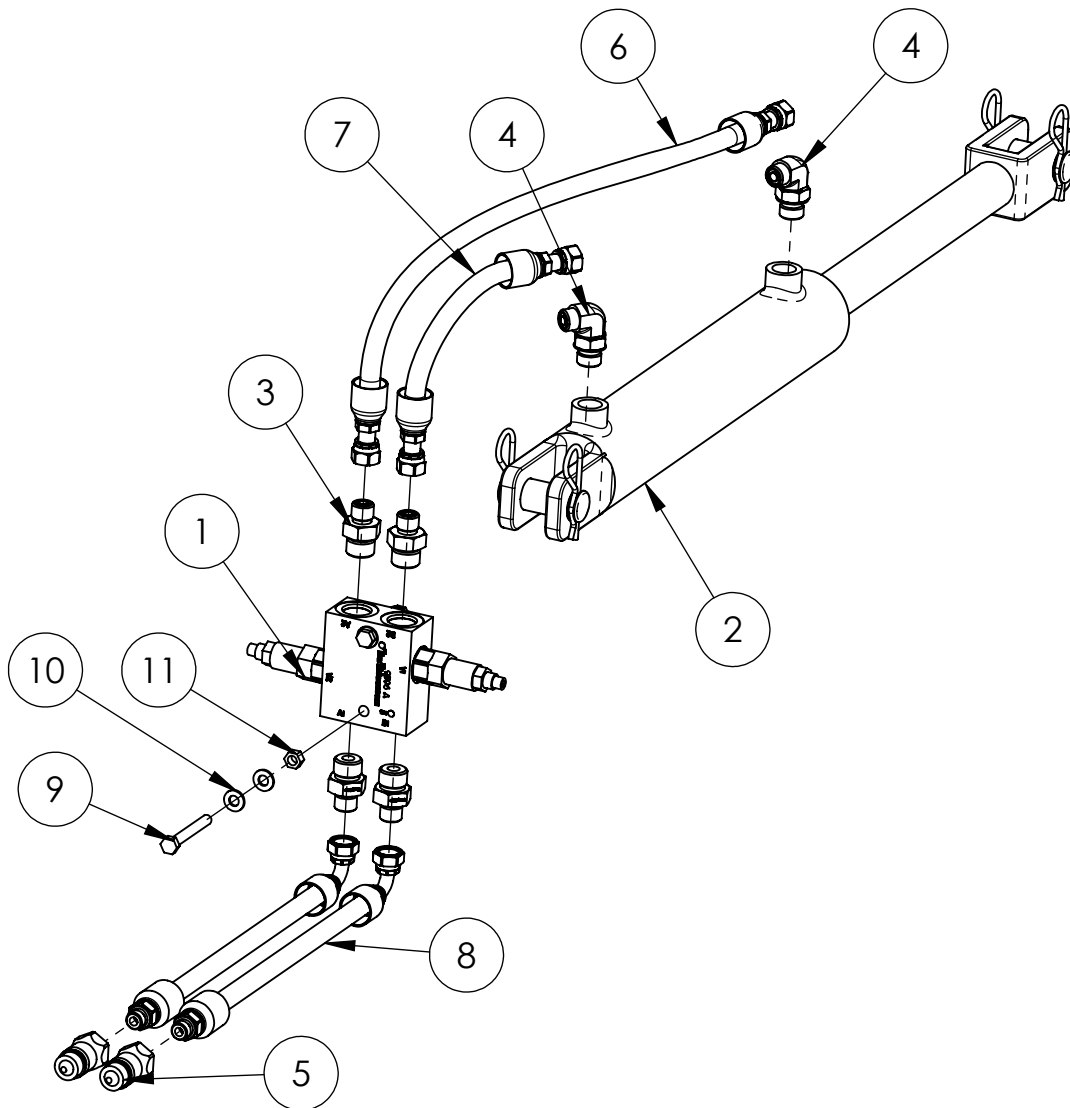
ITEM NO.	PART NUMBER	DESCRIPTION	QTY
1	14403	TUBE, ROLL KEEPER	1
2	14404	ROLL STOP, LEFT	1
3	12078	HITCHPIN W/ LANYARD 3/4 X 6 1/2	1

ROLL STOP ARM RIGHT 14694



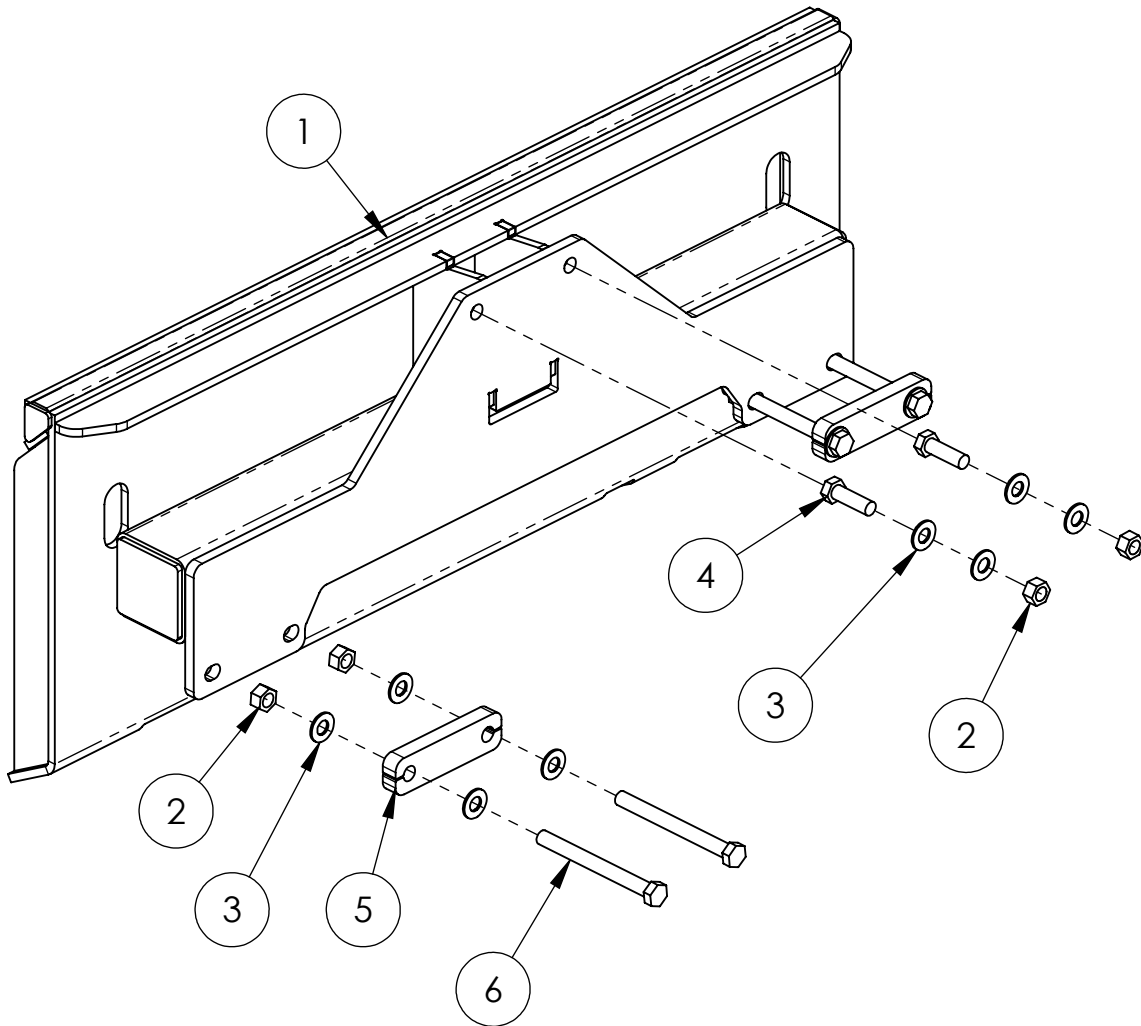
ITEM NO.	PART NUMBER	DESCRIPTION	QTY
1	14403	TUBE, ROLL KEEPER	1
2	14409	ROLL STOP, RIGHT	1
3	12078	HITCHPIN W/ LANYARD 3/4 X 6 1/2	1

HYDRAULICS ASSEMBLY 14695



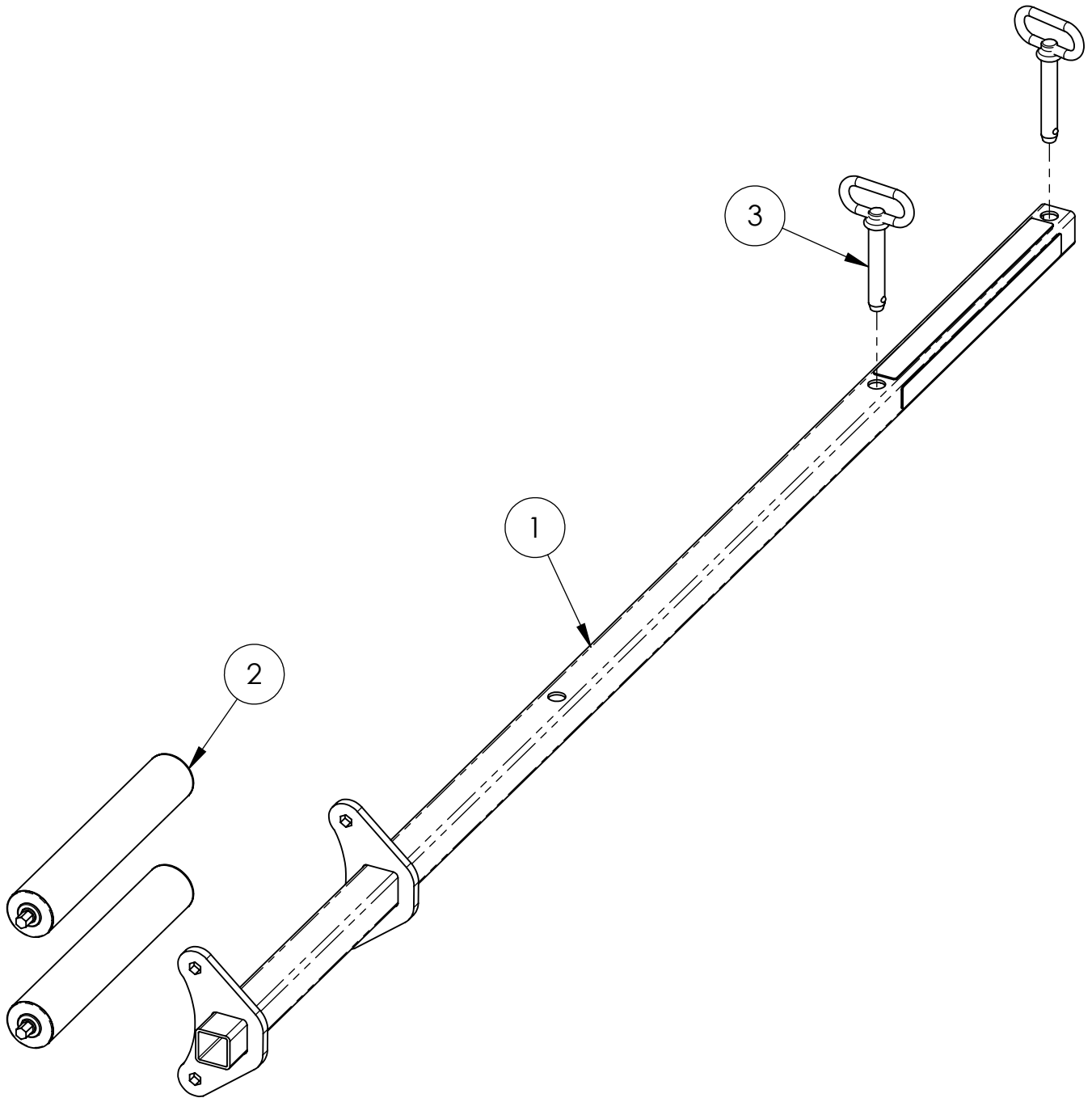
ITEM NO.	PART NUMBER	DESCRIPTION	QTY
1	14452	DOUBLE RELIEF VALVE	1
2	14682	CYL 2.5 BORE X 12 STROKE	1
3	14625	HYD FITTING, 6 ORFS X 10 ORB ST	4
4	13533	HYD FITTING, 6 ORFS X 8 ORB 90	2
5	10540	AG QUICK COUPLER, 8 ORB F	2
6	14678	HYD HOSE, 3/8" X 26", ST-ST	1
7	14679	HYD HOSE, 3/8" X 14", ST-ST	1
8	14680	HYD HOSE, 3/8" X 60", ST-90	2
9	14696	BOLT, 5/16-18 X 2.5 GR8 ZY	2
10	14697	WASHER, 5/16 GR8 ZY	4
11	14698	NUT, 5/16-18 GR8 ZY	2

QUICK ATTACH PLATE ASSEMBLY 15052



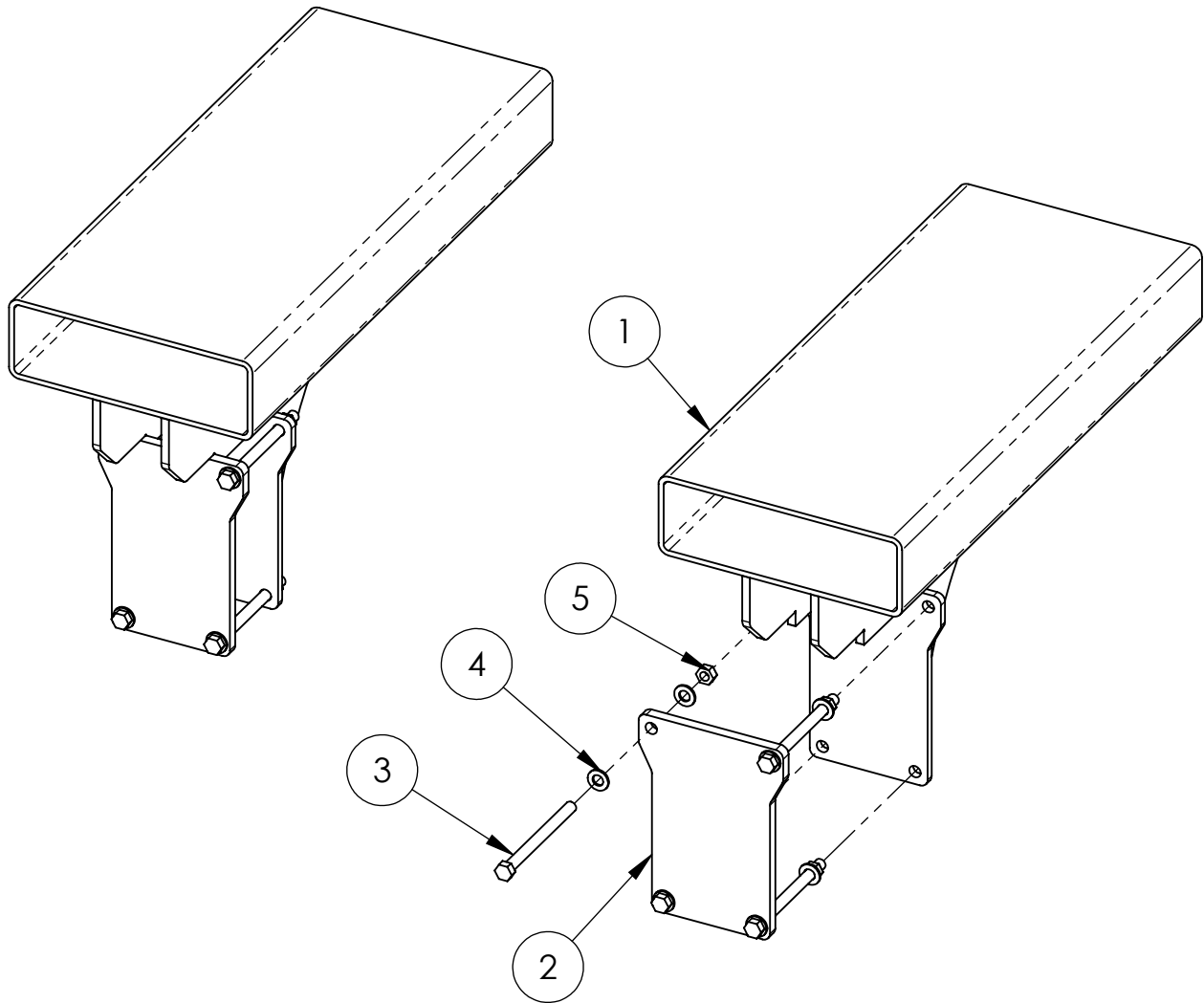
ITEM NO.	PART NUMBER	DESCRIPTION	QTY
1	15053A	SS ATTACH BR2 BOLT-ON WELD	1
2	11122	NUT, 5/8-11 SLTL GR8 ZY	6
3	10104	WASHER, 5/8 GR8 ZY	12
4	10886	BOLT, 5/8-11 X 2.0 GR8 ZY	2
5	14859	PLATE, COULTER MOUNT	2
6	14820	BOLT, 5/8-11 X 6.5 GR8 ZY	4

ROLL EXTENSION ASSEMBLY 14453



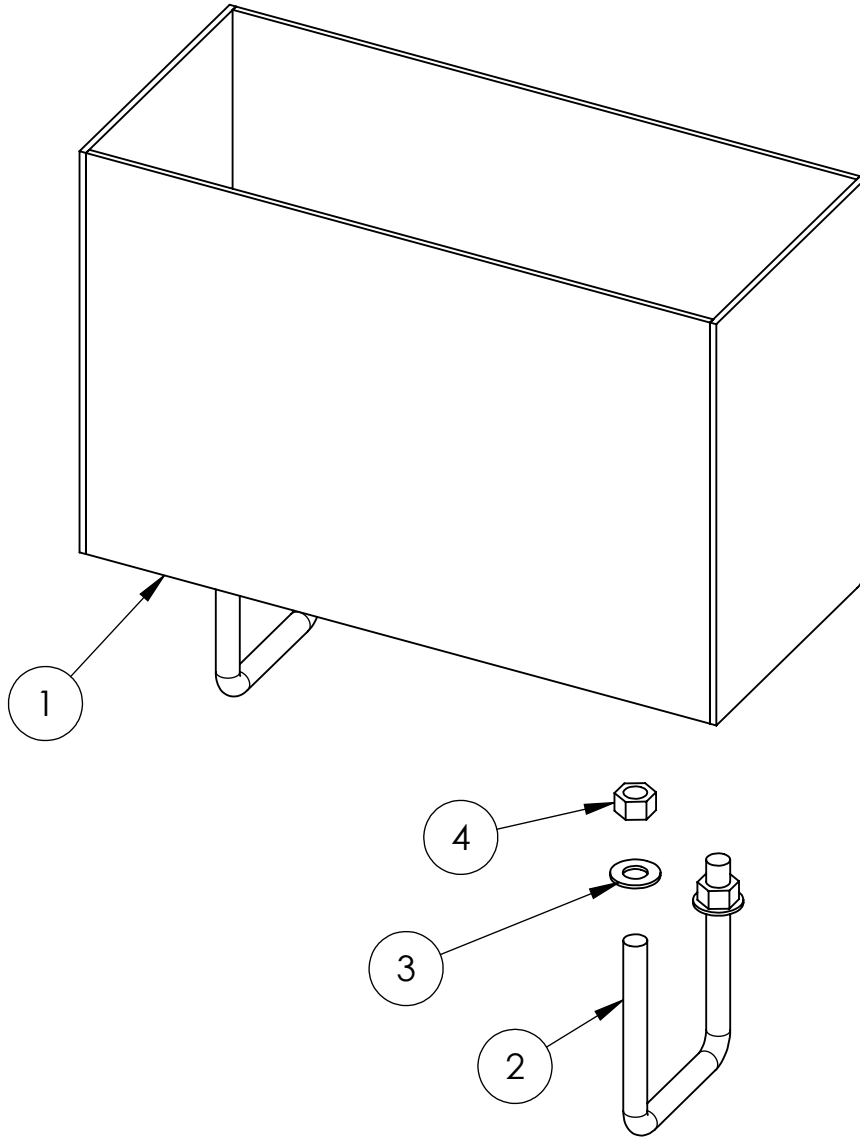
ITEM NO.	PART NUMBER	DESCRIPTION	QTY
1	14451	ROLL MOUNT EXTENSION	1
2	14402	ROLLER, 2 X 12	2
3	10929	PIN - 5/8 X 3 DETENT	2

FORK POCKETS ASSEMBLY 15265



ITEM NO.	PART NUMBER	DESCRIPTION	QTY
1	15260	BR2 FORK POCKET WELD	2
2	15262	PLATE, FORK MOUNT	2
3	12735	BOLT, 1/2-13 X 6.0 GR8 ZY	8
4	10062	WASHER, 1/2 SAE GR8 ZY	16
5	10396	NUT, 1/2-13, SLTL GR8 ZY	8

STAPLE BOX ASSEMBLY 15111



ITEM NO.	PART NUMBER	DESCRIPTION	QTY
1	15110	STAPLE BOX WELDMENT	1
2	11370	U-BOLT, 5/8 X 4 X 5.5	2
3	10104	WASHER, 5/8 GR8 ZY	4
4	11122	NUT, 5/8-11 SLTL GR8 ZY	4