

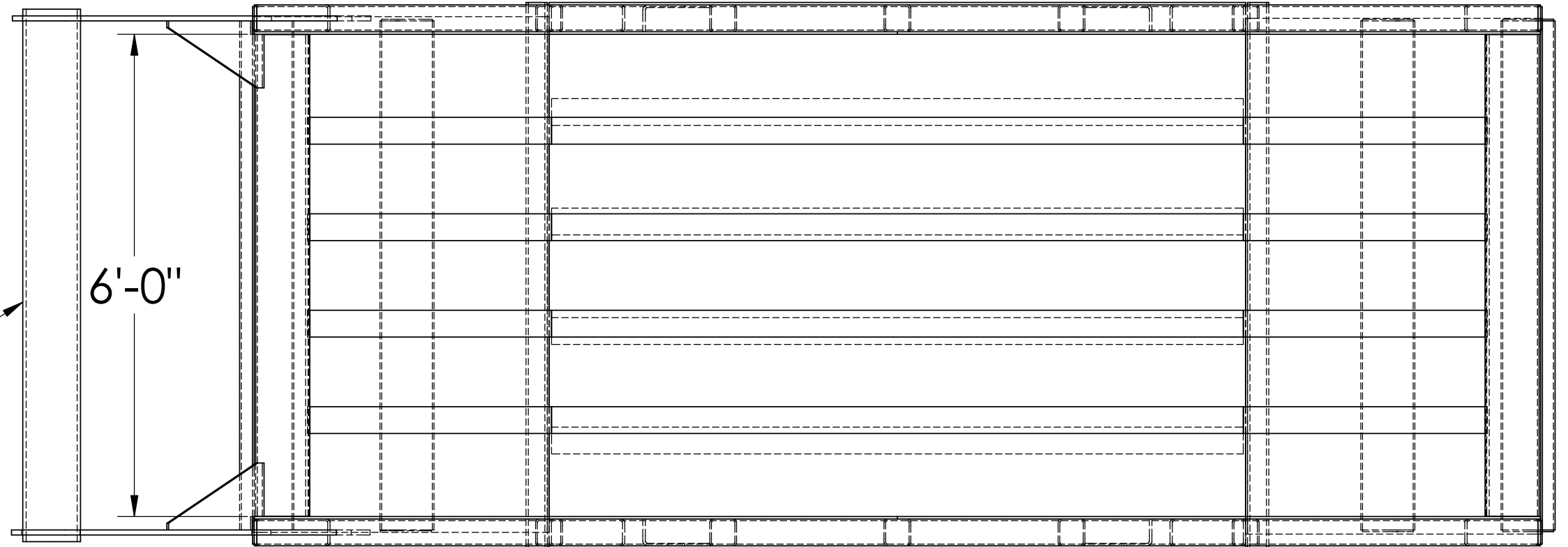
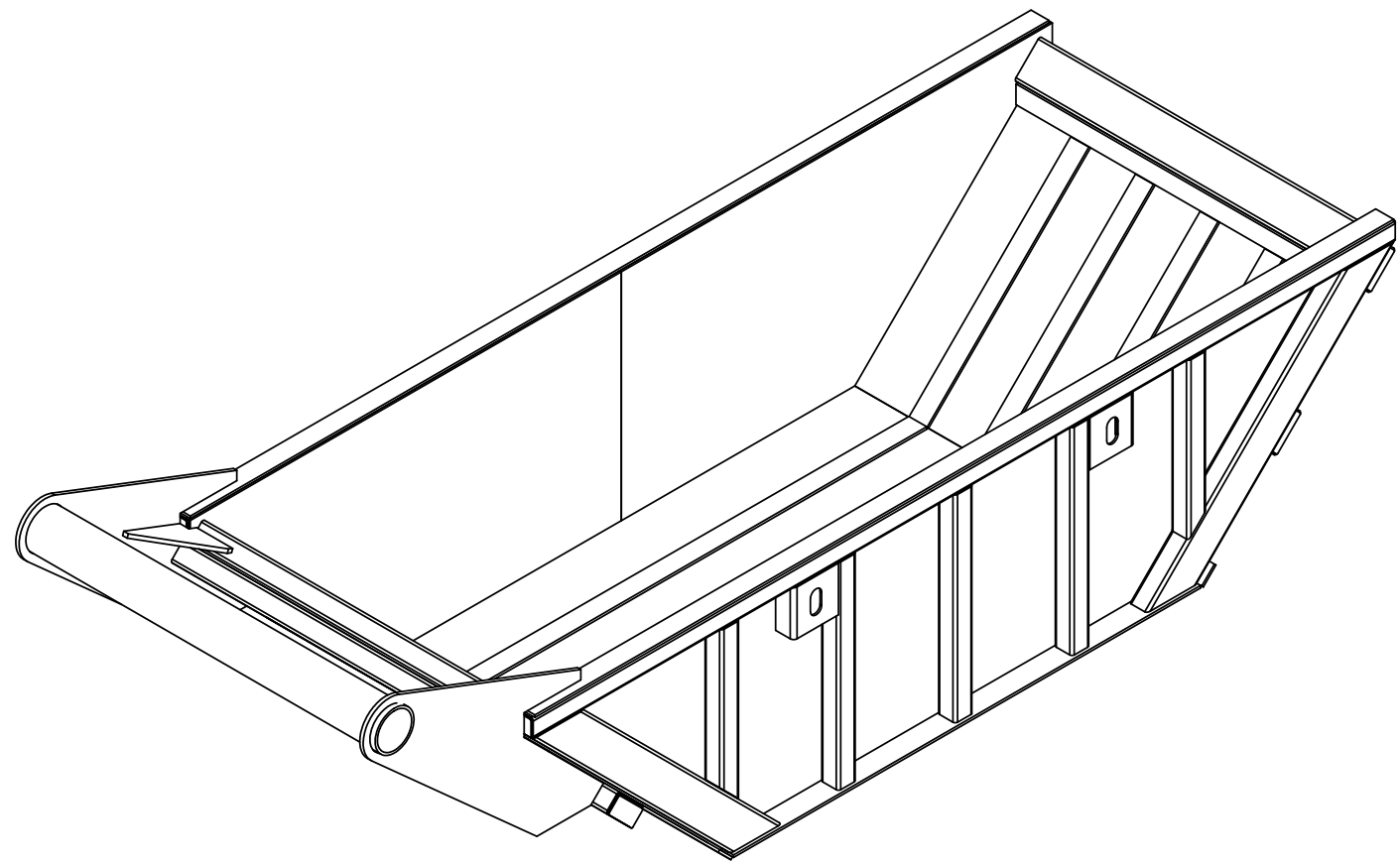
4

3

2

1

1/2" FLOOR PLATE. SIDES & ENDS 3/8" PLATE.
 4 X 4 X 1/4 TUBE TOP RAILS AND VERTICAL RIBS.
 4 X 8 X 1/4 TUBE CORNER SUPPORTS AND END SUPPORTS
 1/2 X 4 WEAR RAILS INSIDE, BOTTOM AND TOP RAILS
 11 YD CAPACITY
 EMPTY WEIGHT IS 7600 LBS.



8" SCH. 80 PIPE

6'-0"

D

D

C

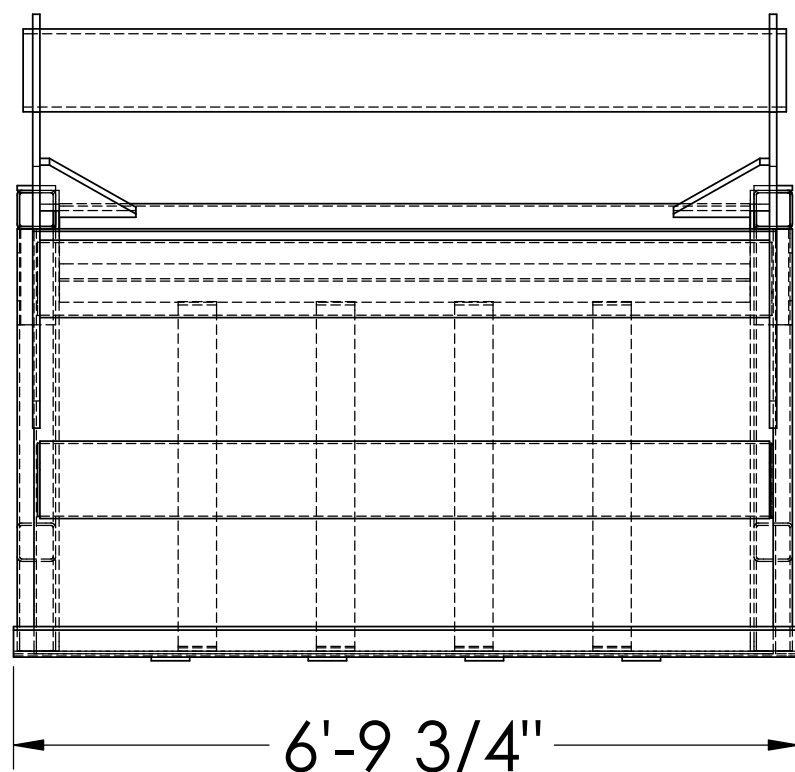
C

B

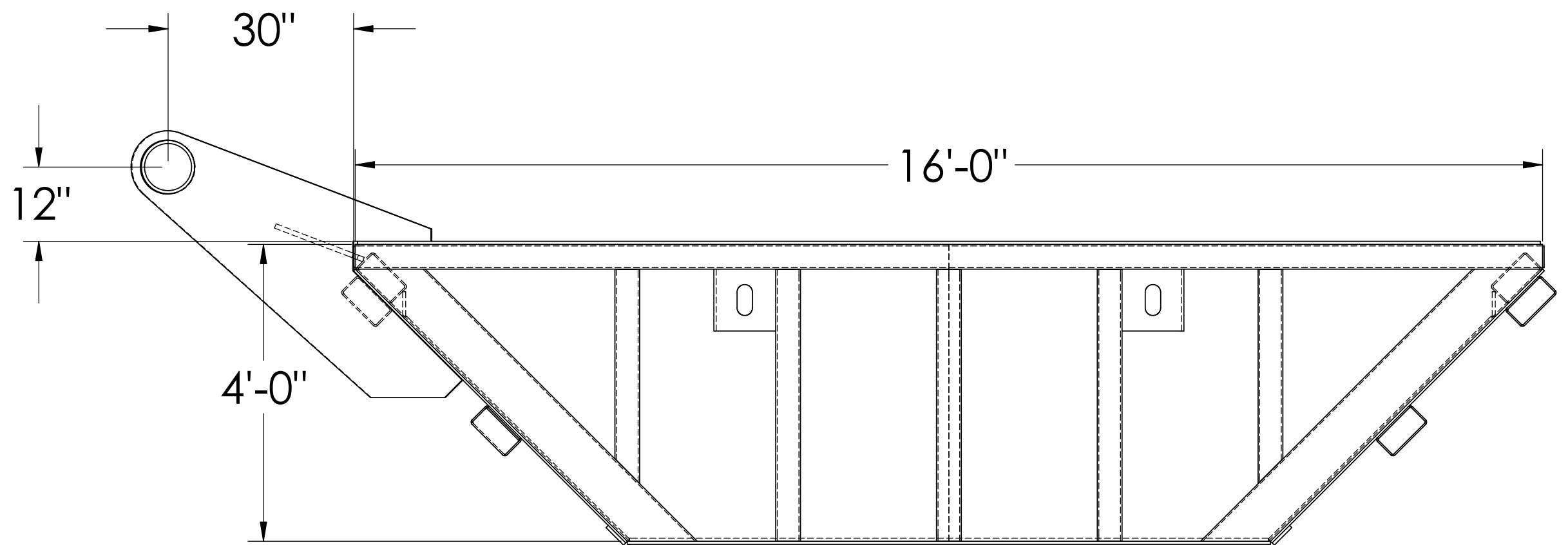
B

A

A



6'-9 3/4"



30"

12"

4'-0"

16'-0"

UNLESS OTHERWISE SPEC.		3RD ANGLE PROJECTION		PAGE OF		RECD		ITEM NUMBER / MATERIAL		MATERIAL DESCRIPTION		LET
DIMNS. IN INCHES		ANSI Y14.5-1982		TITLE		11 YD ROCK BOX		DRAWING NUMBER		10197		NOTICE: BURCHLAND MFG. THIS DOCUMENT AND ITS CONTENTS ARE THE PROPERTY OF BURCHLAND MFG. LLC. NO USE OR COPIES MAY BE MADE WITHOUT WRITTEN PERMISSION FROM BURCHLAND MFG. LLC.
W.P.S. 1-1-A-100		STD. TOLERANCES		DESIGN BY: AB		DATE: 5/10/04		REV		CHANGE NUMBER		
X.X ± .060		X.XXX ± .030		NEW		AB		5/10/04				
FRAC.DIM. ± 1/32		DEG. ± 1°										

4

3

2

1